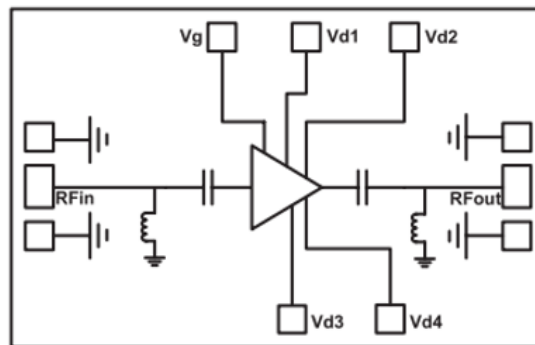


**Features**

- Frequency: 50-64GHz
- Gain: 25dB
- P1dB: +21dBm@60GHz
- Power Supply: 4V@262mA
- I/O 50 Ohm matching: VSWR < 1.5

**Functional Block Diagram**

**Typical Applications**

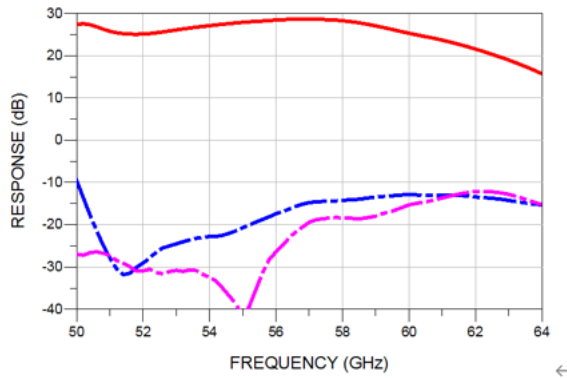
- Test Instrumentation
- Microwave Radio & VSAT
- Military & Space
- Telecom Infrastructure
- Fiber Optics

**Electrical Specifications**

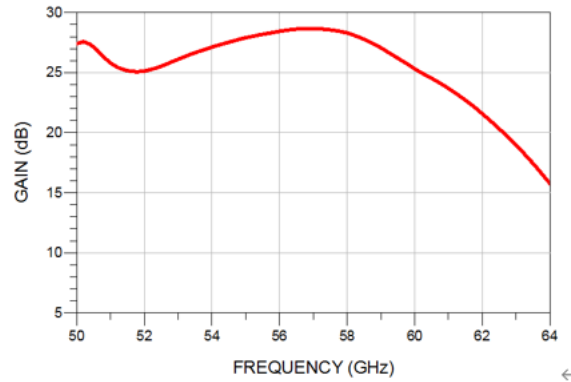
TA = +25°C, Vdd = +4V, Vgg = -0.4V (On-wafer Measurement Results)

Parameters	Min.	Typ.	Max.	Units
Frequency	50-64			GHz
Gain	15	25	28	dB
P1dB		+21		dBm
Psat		+24		dBm
Input Return Loss	13	18		dB
Output Return Loss	13	25		dB
Operating Current (@Vdd = 4V)		262		mA

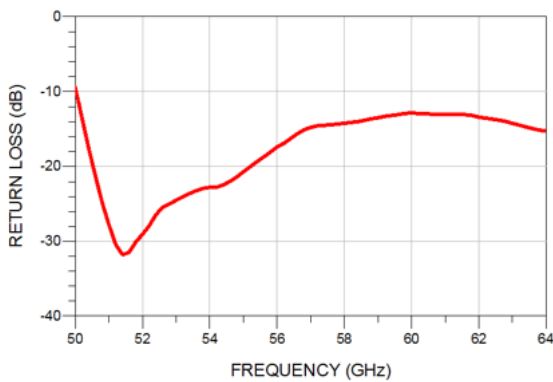
### Frequency Response



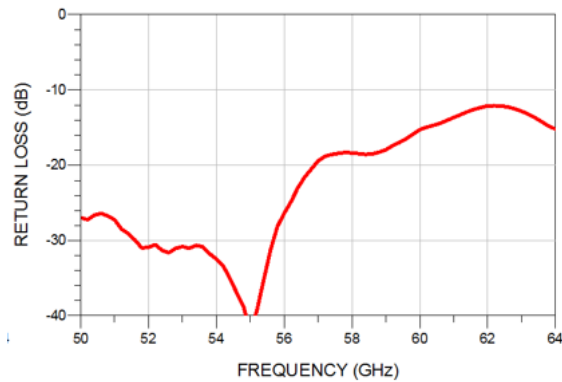
### Gain



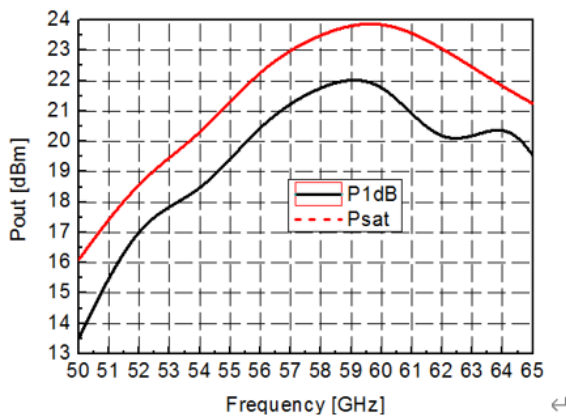
### Input Return Loss



### Output Return Loss

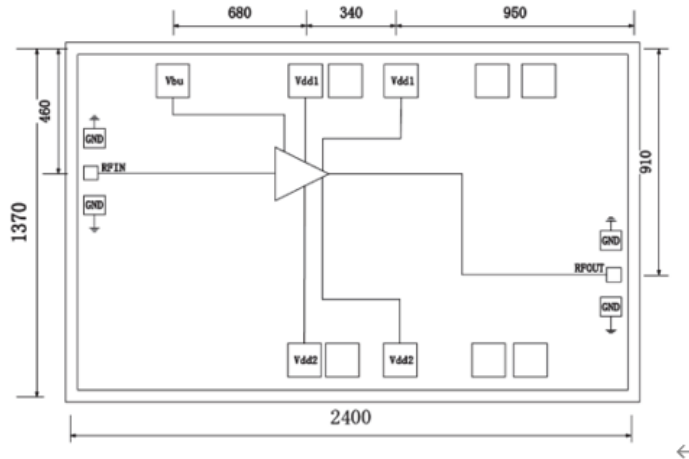


### P1dB & Psat





### Outline Drawing: All Dimensions in $\mu\text{m}$



### Assembly Drawing (Bond testing)

